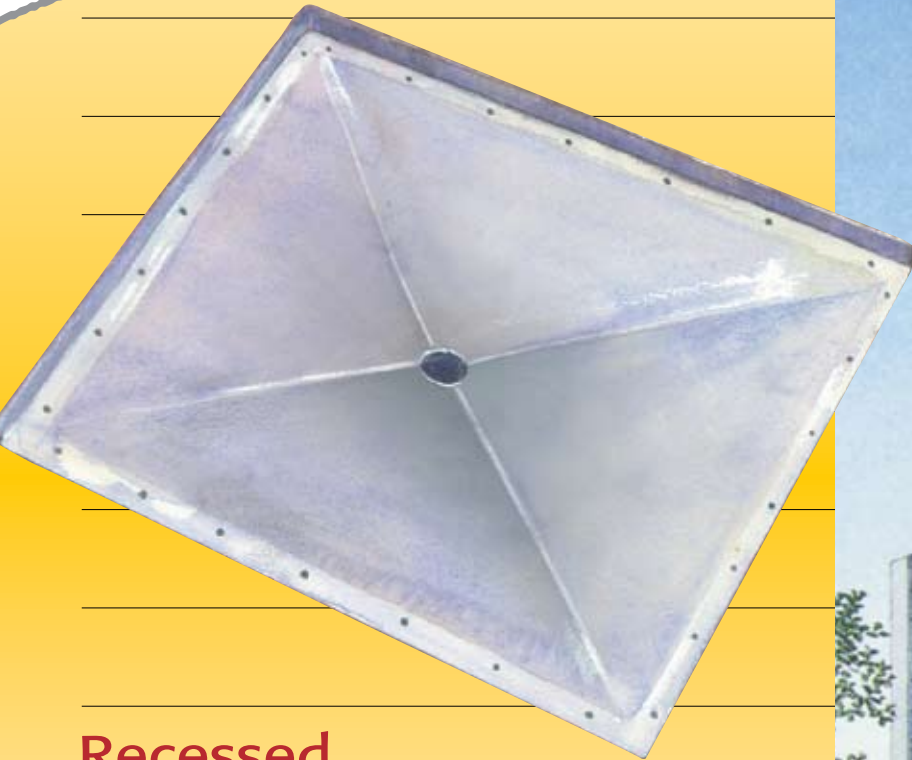


TYLON™

Shower Floor

A new patented product that will significantly improve
the way shower enclosures are tiled or vinyled in future

*NZ PATENT No. 328 896



Recessed

Self-supporting

Suitable for timber floors




INDUSTRIES LIMITED

Features

■ The Tylon™ Shower Floor is a new patented product that will significantly improve the way shower enclosures are tiled or vinylled in future.

■ It is a **self supporting, recessed, waterproof substrate floor** constructed from 5mm aluminium plate. The floor pressing incorporates up-stands that extend up behind the wall lining.

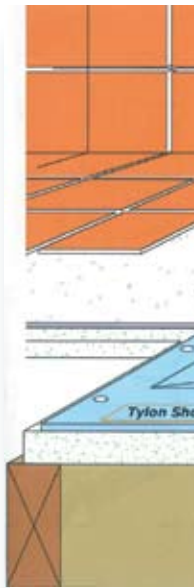
■ There is a **50mm wide perimeter mounting flange** pressed into the edge of the shower floor which when fitted lies flush with the surrounding floor allowing continuous tiling or vinyling of the floor into the shower recess.

■ The floor is recessed to a centre drain which takes a **standard easy clean tile waste**.

■ The aluminum floor is powdercoated giving both **high corrosion protection and an excellent bond** for approved flexible tile adhesives. We recommend MCA Butylbond Adhesive be used for laying although other flexible adhesive systems can be used but please refer to your supplier before application.

■ The Tylon™ Shower Floor has **minimal deflection**.

■ An optional **plinth** is available.



Design & Building

General (figure 4)

- 1 The corner in which the Tylon™ floor is to be installed must be square.
- 2 The floor must be level - max. 2mm out of level over the width.
- 3 When a 'Global Glass' frameless shower is installed we recommend the walls are double studded where the screen is fixed - max. out of vertical 4mm.
- 4 The bottom plate on the back walls should be checked out 6mm to allow the tile slate or other wall lining to over lap the upstand on the Tylon™ Shower Floor.

Cut Outs

Timber Floors

The cut out for the shower floor should be 40mm less than the Tylon™ floor in all directions with sufficient under floor support to stop any flexing.

See fig 1 and fig 5

FLOORS MUST BE SUPPORTED ON ALL 4 FLANGES

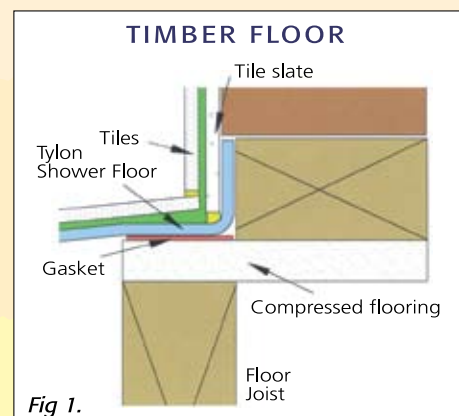


Fig 1.

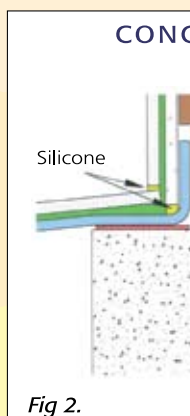
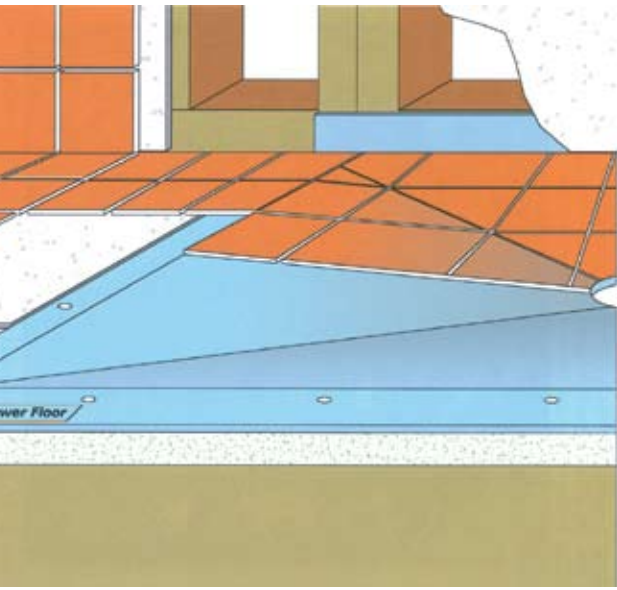


Fig 2.

Benefits



1 The advantages of using a Tylon™ Floor over a hand made floor are significant.

- self supporting allowing for easy and quick installation
- consistent quality
- use of superior materials
- potential leaks around waste are eliminated
- dishing of the pan is accurate. No more puddling
- the upstands improve waterproofing at wall joint

2 The floor is recessed with **level entry** allowing easy access for wheelchairs, the elderly etc.

3 Tylon™ Shower Floors are ideally suited for **timber or particle board floors**.

Concrete Floors

There are two alternatives:

- (a) Box an area 40mm smaller in all directions than the Tylon™ floor then add a 6mm deep by 50mm wide step down on its perimeter. See *fig. 2 and fig 5*
- (b) Box an area 5 to 10mm larger than the Tylon™ floor then fix tanilised bearers 6mm below the slab to carry the Tylon™ floor. See *fig. 3*

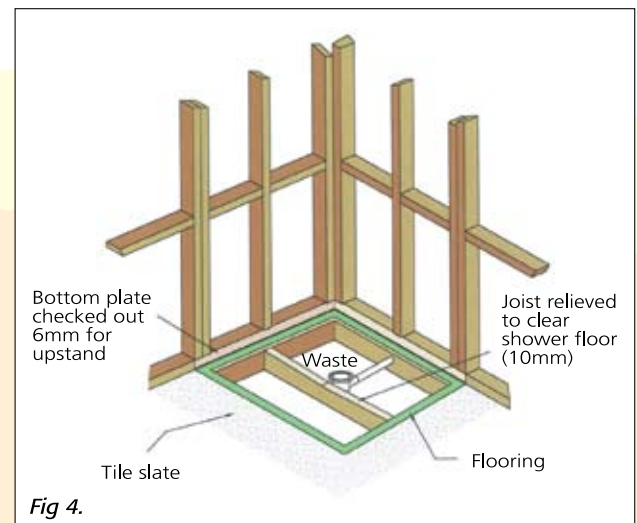


Fig 4.

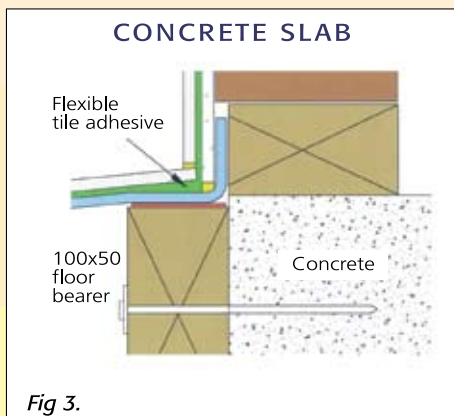
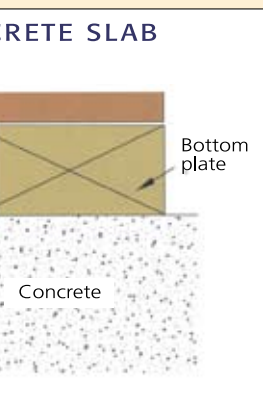


Fig 3.

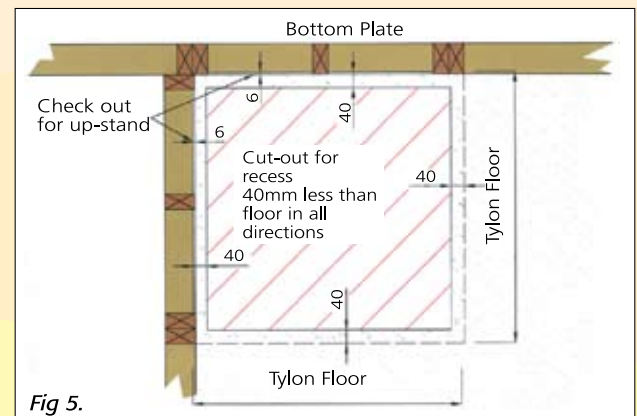


Fig 5.

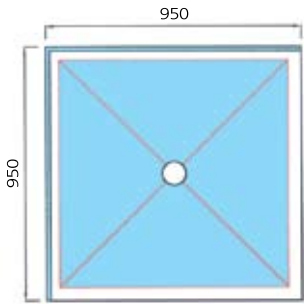
Shower Floor

SPECIFICATIONS

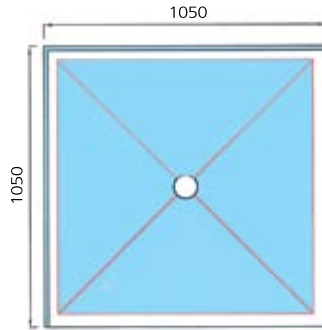
Material:	5mm Alloy 5005 Temper 34
Method of Manufacture:	Pressed
Typical Deflection:	Over 1000mm span 1.50mm
Coating:	Powdercoat primer over chromate pre-treatment
Recess:	25 mm fall overall
Central Waste:	89mm diameter, accepts a standard easy clean tile waste
Upstands:	Height 40mm
Recommended Adhesive:	MCA Butylbond adhesive
Optional Plinth:	52mm high x 90mm wide x 2mm fall

TYLON™ SHOWER FLOOR SIZES

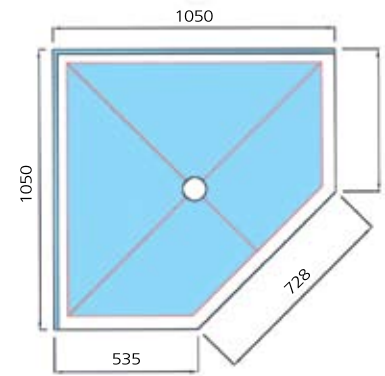
Standard Stock Sizes



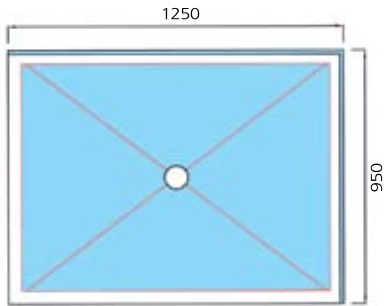
Model TF900 2 sided
(suit 900 x 900 shower screen)



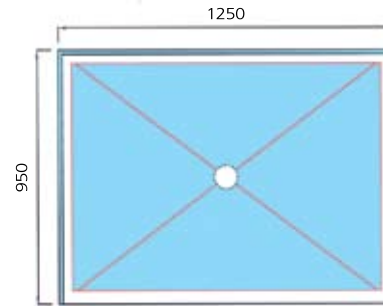
Model TF1000 2 sided
(suit 1000 x 1000 shower screen)



Model TF1000 Neo
(suit 1000 quadrant screen)



Model TF1200x900 - LH
(suit 1200 x 900 shower screen)



Model 1200x900 - RH
(suit 1200 x 900 shower screen)

Global Glass frameless shower screens are available for all standard sizes of Tylon™ Shower Floors

Non-Standard Sizes

P.O.A against quantity orders of 25 or more

*NZ Patent No. 328896



TYLON™ Shower Floors
Global Glass Shower Screens

Rockford Industries Limited
56 Newton Street
Mt Maunganui, NZ
Tel 0064 07 5721360
Fax 0064 07 5721365
Email rockfordind@xtra.co.nz

